

## Product Datasheet

Tino SN

Material- Zinc Alloy

Finish- Satin Nickel

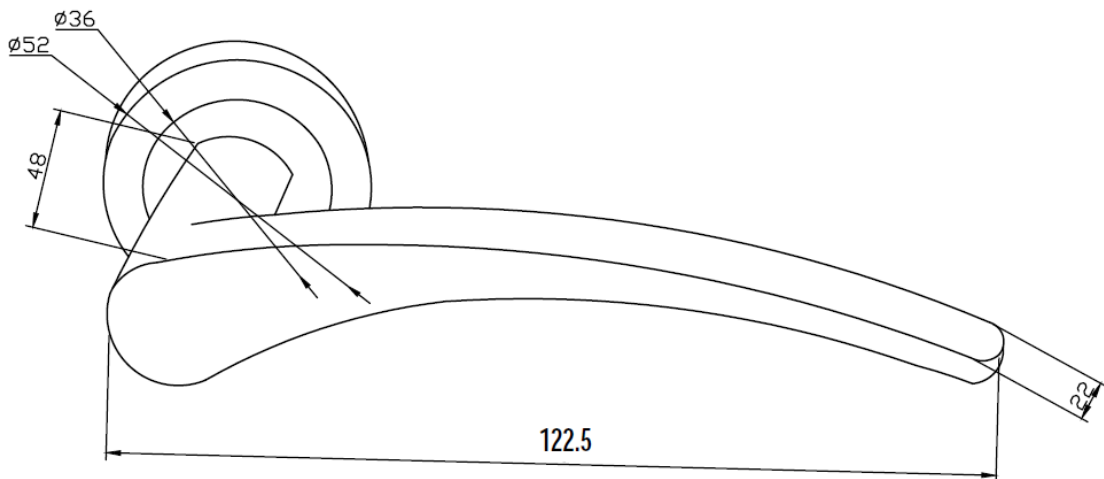
Stylish Solid designer lever handle with 52x10mm spring rose.

Spilt spindle fixing for optimum grip, and 120mm long spindle to suit door thicknesses up to 60mm.

Complete with back to back roses fixing bolts & fixing screws. It is recommended that the back to back fixing bolts are always used on suitable lock cases.

**Certification:**

Fire tested to EN1634



Proline Architectural Hardware

Unit 10, Jamestown Industrial Centre, Jamestown Rd, Inchicore, D08 TX64

[www.prolinehardware.ie](http://www.prolinehardware.ie)

[info@prolinehardware.ie](mailto:info@prolinehardware.ie)

01-4536633 Fax: 01-4531230